

REPEX 29 S _ REPEX 30 K _ REPEX 31 S _
REPEX 32 K _ REPEX 32 S _ REPEX 33 K _
REPEX 34 S _ REPEX 35 K

BERGMANN

...the specialists

Loader Wagon REPEX

For powerful green fodder harvest





*Proven quality:
„Made in Goldenstedt“*



BERGMANN, a successful, medium-sized, family-owned company in the third generation, has been firmly linked to its business location in Goldenstedt and its people for over 120 years.

Our actions are determined by an awareness of tradition and our innovative strength. Our state-of-the-art machines for spreading and grassland technology, harvesting and transport logistics meet the highest quality standards and are in use worldwide every day.

As a strong and reliable partner in the agricultural sector, we develop and produce practical agricultural technology for our customers at our company's factory in Goldenstedt. Our company philosophy, our ambition and our commitment are:

Quality „Made in Goldenstedt“





The **trailer height** can be easily adjusted.



The **drawbar and knife beam** can be easily adjusted on the left side of the vehicle.



All **REPEX** models are equipped as standard with a sprung tandem axle assembly with pendular compensation.

BERGMANN Loader Wagon REPEX

Tandem | 20.000 / 21.000 kg



REPEX models 29 S / 30 K / 31 S / 32 K are equipped as standard with high drawbar and 40 mm towing eye. The low drawbar is optionally available.

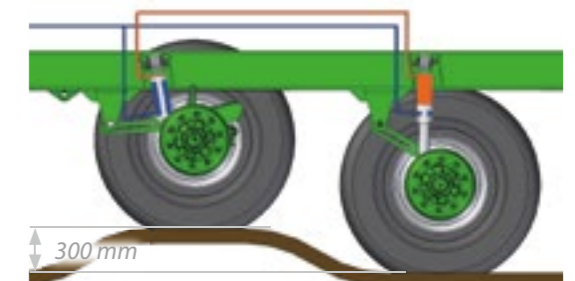


On the **REPEX** models 32 S / 33 K / 34 S / 35 K the low drawbar and K 80 ball hitch are standard.



The **narrow drawbar** design ensures high manoeuvrability and low wear. The jack stand can be swivelled up and fastened to the frame.

The **hydraulic chassis** is optionally available. The 300 mm hydraulic axle compensation provides for the best driving performance, the highest standing and driving safety, stability and off-road handling. Bumps are reliably absorbed, ground pressure is significantly reduced and wheel sinking in is minimized.



A **follow-up steering** system is optionally available for even greater driving comfort, significantly less tire wear and more ground protection.

The **controlled pick-up** with a pick-up width of 1,940 mm, six rows of tines and a tine spacing of 55 mm can easily pick up even large swaths and ensures rake-clean and gentle forage pick-up. The swath roller with its guide comb and large, steered guide wheels, is standard equipment.



The optional pick-up **guide roller** provides for optimum ground adaptation. Also optional, the **pick-up relief** ensures that the pick-up always rolls gently over the ground with constant contact pressure and picks up the forage cleanly.

BERGMANN Loader Wagon REPEX

Tandem | 20.000 / 21.000 kg



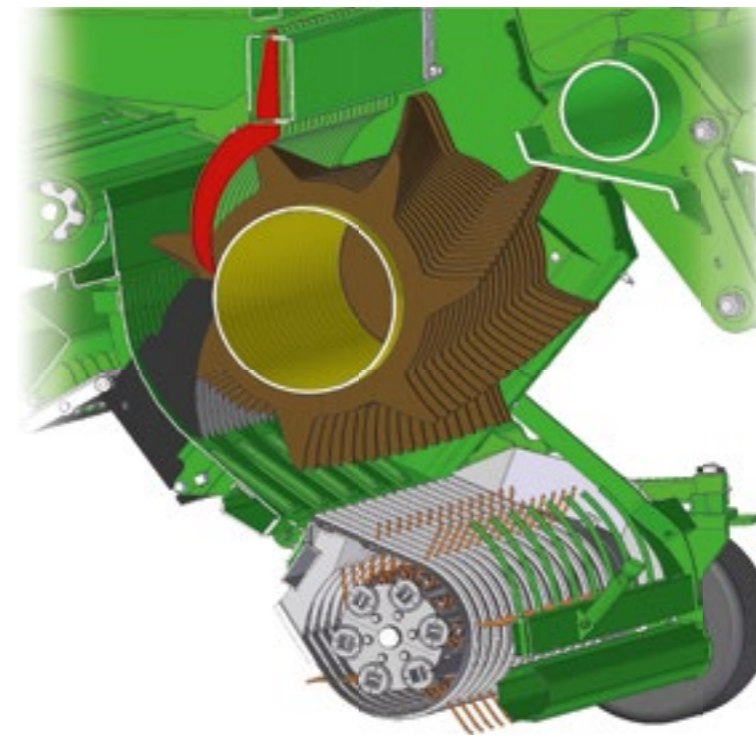
Cutting unit

The 35 mm short cut unit, with 41 knives at one level, ensures an exact, optimum long cut and ensures the best silage quality. The knives remain sharp for a long time and are easy to replace.



Knife beam

Each of the 41 knives is individually protected against foreign objects and returns to the cutting channel automatically after contact with foreign objects. This ensures the permanent short cut. The knives can be removed and installed without tools in just a few seconds and the knife beam can be swivelled out hydraulically. The knives are automatically unlocked and can be removed without tools. Lifting the high-lift drawbar at the same time increases the space under the **REPEX** so that the knife beam no longer needs to be swung out to the side.



The **rotor's** robust conveyor tines are arranged in a spiral. The rotor is driven via a low-maintenance, robust and powerful spur gearbox.



The cargo space is optimally filled through the wide **conveyor channel**. The **steel scraper floor**, which slopes 200 mm to the front, reduces the conveyor channel height and requires considerably less power for the rotor drive, protects the forage and increases the loading capacity. The smooth inner sides and side walls in the front section reduce friction during the loading process.



The four **round steel chains** (ea. 11 x 31 mm, 15 t per chain) are deeply embedded in large chain wheels (little wear and tear). The chains are stretched in pairs. Deflection pulleys with scrapers in the front and rear ensure safe scraper floor chain guidance.



The lubricated **chain tensioner** guides are easily accessible and allow easy chain re-tensioning.



The large, lockable **cargo space entrance** is standard on the S-models and optional on the K-models. It is mounted on the right side and allows easy access via the low-reaching, fold-out ladder.



Lighting concept



Optional interior and exterior lighting. Desired areas, e.g. cargo space, axle assembly, etc., can be specifically illuminated using powerful LED spotlights.

BERGMANN Loader Wagon REPEX

Tandem | 20.000 / 21.000 kg



Fast and powerful **unloading** of the **REPEX** can be carried out with the optional dosing rollers (S-model) or without (K-model).



The **S-model** dosing unit with standard 3 dosing rollers (REPEX 29 S / REPEX 31 S / REPEX 32 S / REPEX 34 S).

K-models without dosing rollers (REPEX 30 K / REPEX 32 K / REPEX 33 K / REPEX 35 K)



The unloading width can be adjusted through the position of the tailgate. The tailgate position is shown as standard on the **tailgate position indicator** on the front wall.

Optional equipment



An **automatic loading system** with adjustable time delay is also optionally available. Depending on the setting, the loaded material can be compacted more or less.



All REPEX models are ISOBUS compatible. The selection of the different operating modes makes easy operation possible in any situation. The hardware and software are AEF / ISOBUS certified.

BERGMANN Loader Wagon REPEX Operation



BERGMANN Comfort Terminal BCT 20 with an illuminated keypad, different modes, trip counter, programmable sequence controls, clear and precise symbols, automatic loading and unloading (optional).



Optional **CCI50 / CCI200 ISOBUS Operating Terminals** – simple operation and adjustment of all functions, automatic loading and unloading, programmable control sequence, colour touch screen display, multiple interface options, possible camera image display.



Optional **CCI1200 ISOBUS Operating Terminal**

- **Flexible layout** – displays multiple apps simultaneously
- **Multi Touch** – smartphone level operation
- **2 x Universal Terminal** – operate two ISOBUS machines simultaneously
- **Help System** – help when it's needed
- **Camera** – display of up to eight camera images
- **Task Control** – documentation with ISO-XML 14

Technical data

		REPEX 29 S Tandem	REPEX 30 K Tandem	REPEX 31 S Tandem	REPEX 32 K Tandem	REPEX 32 S Tandem	REPEX 33 K Tandem	REPEX 34 S Tandem	REPEX 35 K Tandem
Dimensions and weights									
Vehicle dimensions									
Length*	mm	8,860	8,860	8,860	8,860	9,610	9,610	9,610	9,610
Width*	mm	2,550	2,550	2,550	2,550	2,550	2,550	2,550	2,550
Height**/**	mm	3,800	3,800	4,000	4,000	3,800	3,800	4,000	4,000
Ground clearance pick-up*	mm	~350	~350	~350	~350	~350	~350	~350	~350
Ground clearance with extended high-lift drawbar*	mm	~600	~600	~600	~600	~600	~600	~600	~600
Dead weight*	kg	7,750	7,400	7,800	7,450	8,000	7,650	8,050	7,700
Gross vehicle weight*	kg	20,000-21,000	20,000-21,000	20,000-21,000	20,000-21,000	21,000	21,000	21,000	21,000
Payload*	kg	12,250-13,250	12,600-13,600	12,200-13,200	12,550-13,550	13,000	13,350	12,950	13,300
Capacity at medium compression*	m ³	51.5	53.6	56	58.5	57.1	59.8	60.8	63.5
Capacity according to DIN 11741*	m ³	28.6	29.8	31.1	32.4	31.7	33.2	33.8	35.3
Cut length	mm	35	35	35	35	35	35	35	35
Number of knives	pcs.	41	41	41	41	41	41	41	41
Pick-up intake width	mm	1,940	1,940	1,940	1,940	1,940	1,940	1,940	1,940
Power requirements	KW HP	88-147 120-200	88-147 120-200	88-147 120-200	88-147 120-200	88-147 120-200	88-147 120-200	88-147 120-200	88-147 120-200

* depending on equipment ** with tire 710/45 R 22.5 Vredestein

Optional:

- Sprung drawbar (hydropneumatic)
- Auto-Filling
- Load sensing system
- Central lubrication system, fully automatic
- BERGMANN Comfort Terminal BCT 20
- ISOBUS terminals CCI 50, CCI 200 and CCI 1200
- various lighting possibilities
- various tire options, etc.

We reserve the right to make changes to dimensions, weights and technical data. Dimensions and weights do not necessarily correspond to series versions and are not binding. Illustrations may contain additional equipment.

Our product range contains the right vehicle for every operation and every application.

- ▶ Manure Spreaders
- ▶ Universal Spreaders
- ▶ Loader Wagons
- ▶ Forage Transport Trailers
- ▶ Body Swap System
- ▶ Grain Transfer Trailers
- ▶ Beet Transfer Trailers
- ▶ Self-propelled systems

BERGMANN

...the specialists

**Ludwig Bergmann
International Sales GmbH**

Hauptstraße 64 - 66
49424 Goldenstedt/Germany
Tel.: +49 (0) 44 44 - 20 08-0
Fax: +49 (0) 44 44 - 20 08 88
info@l-bergmann.de

www.bergmann-goldenstedt.de



Member of
BERGMANN
GROUP