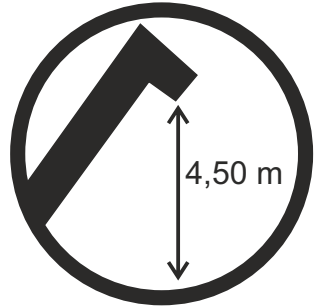


X-Flow

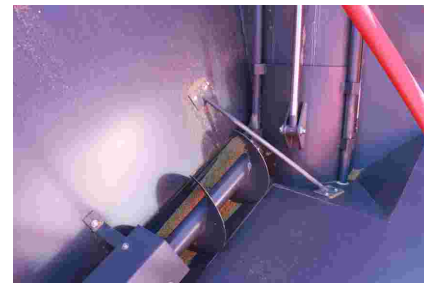
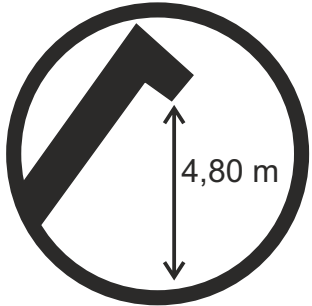
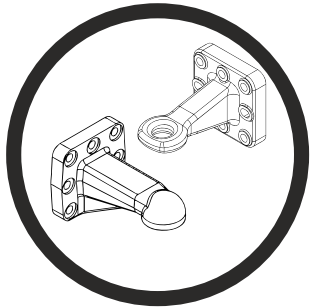


FERARD

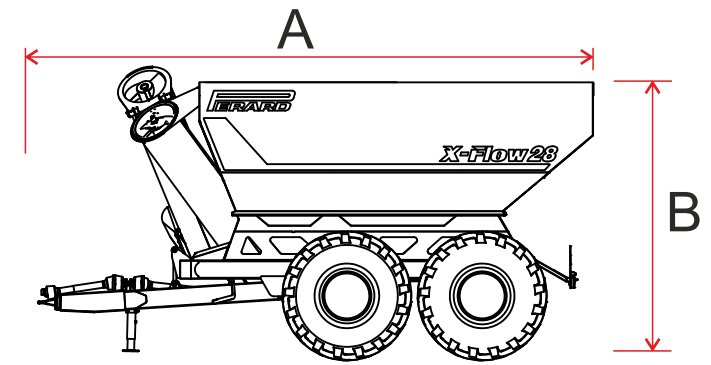
X-Flow 15 - 19










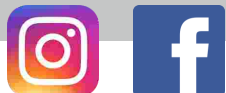
X-Flow 28 - 34



X-Flow



	X-Flow 15	X-Flow 19	X-Flow 28	X-Flow 34
	15,00 m ³	19,00 m ³	28,00 m ³	34,00 m ³
	3,68 t	3,83 t	8,12 t	8,33 t
	12,00 t	15,00 t	21,00 t	26,00 t
A	6,73 m	6,73 m	8,12 m	8,12 m
B	3,72 m	3,96 m	3,88 m	4,10 m
	500 mm	500 mm	600 mm	600 mm
	-	-	± 5%	± 5%
	■ 120	■ 120	■ ■ 150	■ ■ 150
	28.1 R26	750/60 R30.5	28.1 R26 158A8	750/60 R30.5



PERARD SAS - Avenue de l'Europe - Z.I. de Baleycourt - F-55100 VERDUN
 Tél: +33.(0)3.29.73.73.73 - Fax: +33.(0)3.29.73.73.74 - www.perard.fr - contact@perard.fr

